

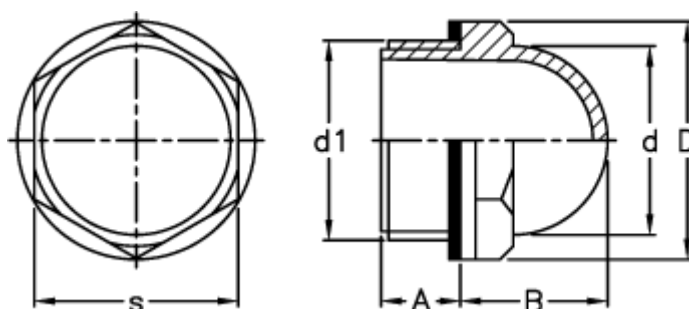
Data Sheet



Article number: 2311011101

Description: E+G Oil circulation sight
HCFE.24-1

Measures



A = 11.0

B = 24.0

d = 31

D = 42.0

d1 = G 1

s = 36.0

Tightening torque N m = 8 to 10